

Variomec 1060 D

Dumpkit converts **Variomec** to 6 m³ rock transporter. Possible optional skip capacities are 5,7 or 8 m³ (8 m³ only in **Variomec Heavy Duty** configuration), depending on rock and driving conditions.



normet
Your partner for tough jobs



normet



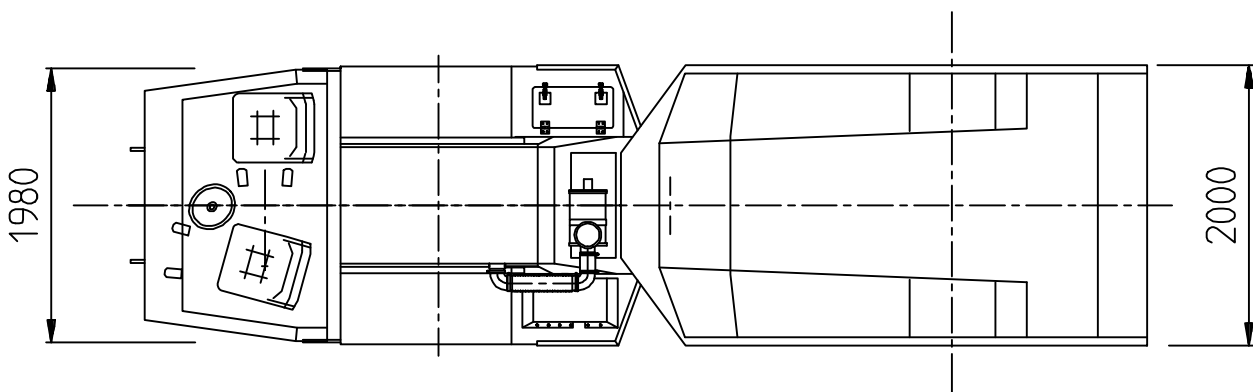
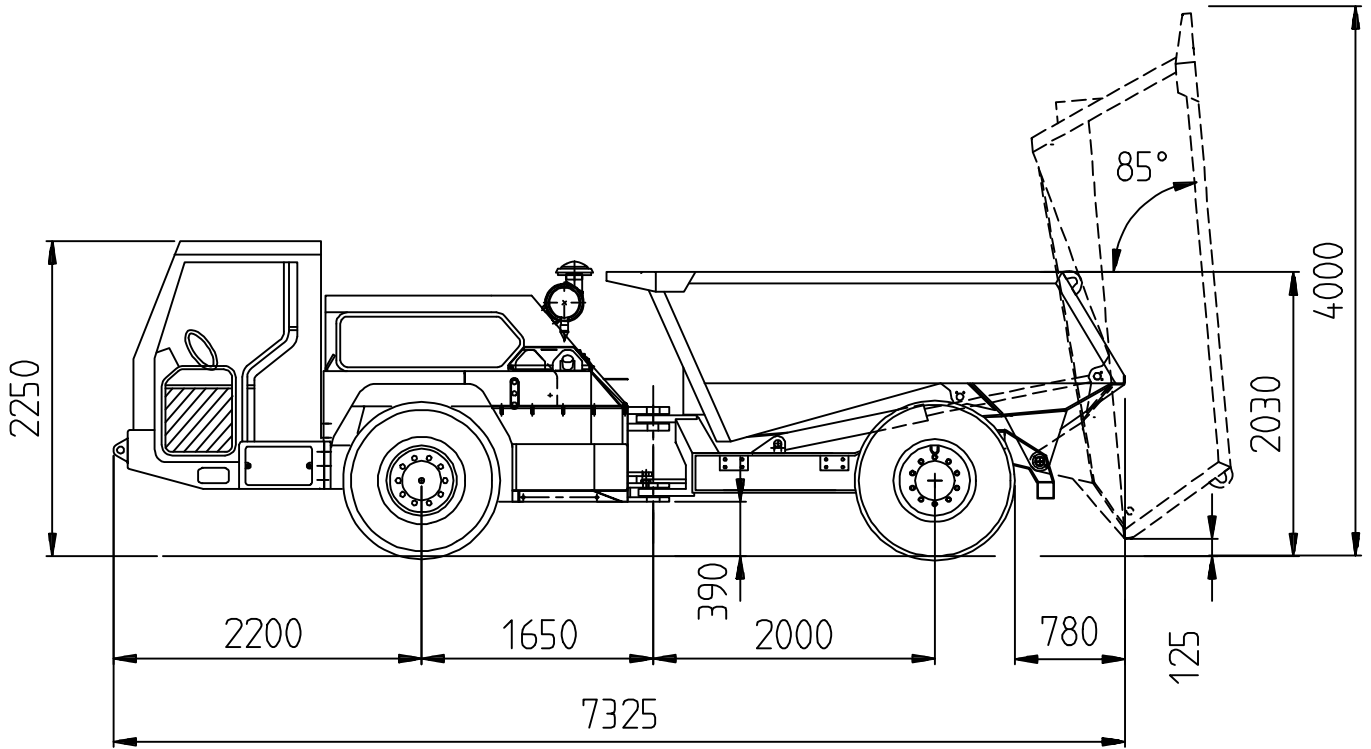
Normet Corporation

Ahmolantie 6
FIN-74510 PELTOSALMI
FINLAND
Tel +358 (0)17 83 241
Fax +358 (0)17 823 606

Variomec 1060 D

Variable rock transporter

TI 1600897
DRW
DATE 26.04.1999
PAGE 1 / 2
APPR.



normet**Normet Corporation**

Ahmolantie 6
 FIN-74510 PELTOSALMI
 FINLAND
 Tel +358 (0)17 83 241
 Fax +358 (0)17 823 606

Variomec 1060 D

Variable rock transporter

TI	1600897
DRW	
DATE	26.04.1999
PAGE	2 / 2
APPR.	

VARIOMEC 1060 D

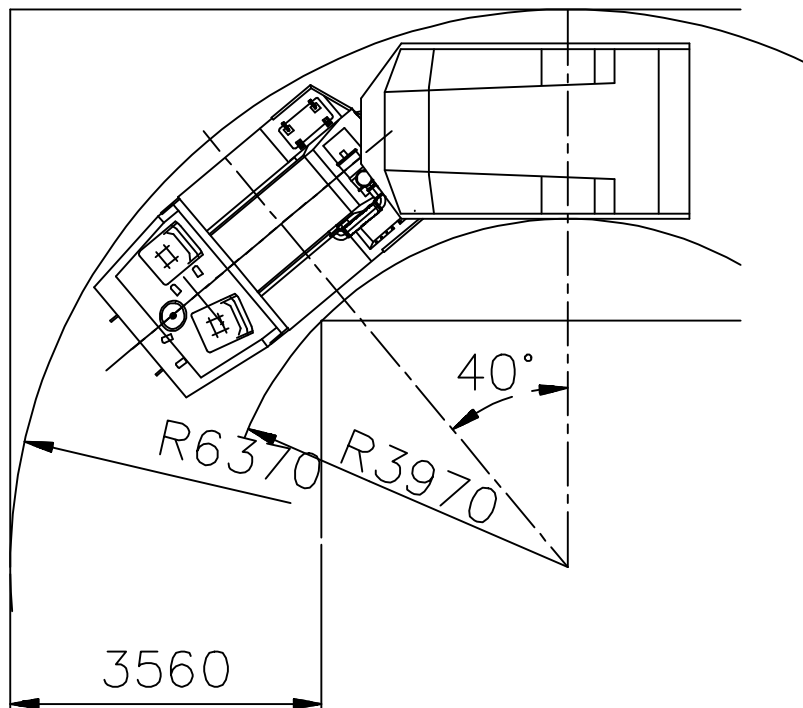
is a self-propelled 100 % bidirectional centre-articulated, variable unit for trackless mechanizing of rock haulage in underground mining and tunnelling. It consists of Normet NC 100 carrier and of DUMPKIT 600, the interchangeable module for work.

DIMENSIONS:

Length	7325 mm
Width	2000 mm
Height	2250 mm
Ground clearance	390 mm
Turning radius	
- outer	6370 mm
- inner	3970 mm
Weight in working condition	9200 kg
Load capacity	6 m ³ /10 Tn

OPTIONS:

- * CEP - catalytic exhaust purifier
- * HD Power Train



normet

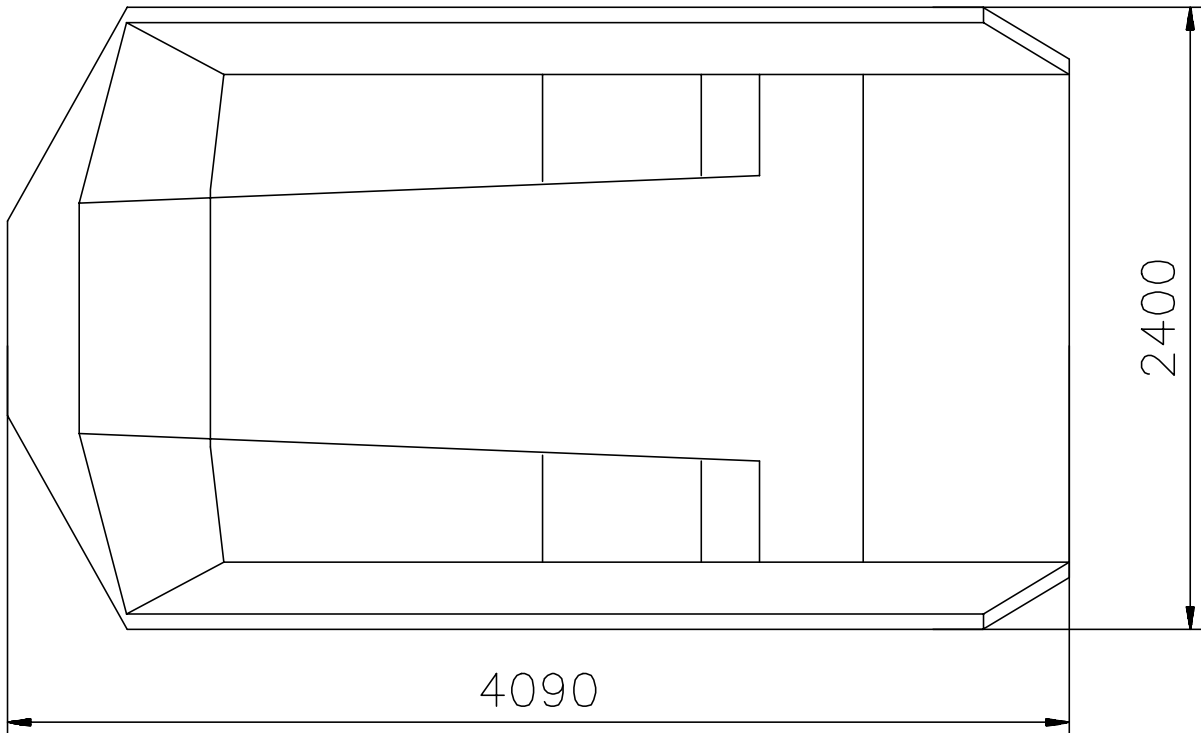
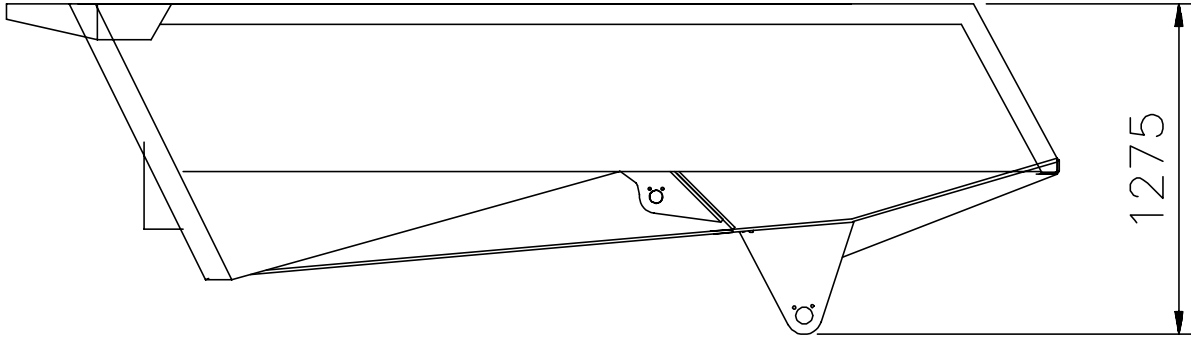


Normet Corporation

Ahmolantie 6
FIN-74510 PELTOSALMI
FINLAND
Tel +358 (0)17 83 241
Fax +358 (0)17 823 606

Dumpkit 700

TI 1600642
DRW
DATE 09.05.2000
PAGE 1 / 2
APPR.



normet**Normet Corporation**Ahmolantie 6
FIN-74510 PELTOSALMI
FINLAND
Tel +358 (0)17 83 241
Fax +358 (0)17 823 606

Dumpkit 700

TI 1600642
DRW
DATE 09.05.2000
PAGE 2 / 2
APPR.

DUMPKIT 700

is the Variomec-module for haulage of rock in mining and tunnelling with small tunnel profiles.

The DUMPKIT is made to withstand the wear and tear of the rock haulage work. The design of the body and big tipping angle ensure good discharging properties, the hydraulic system with two tipping cylinders provide rapid tipping/lowering cycle.

DIMENSIONS:

Length	4090 mm
Width	2400 mm
Height	1275 mm
Empty weight	1800 kg
Rock capacity	7 m ³ /10 tons